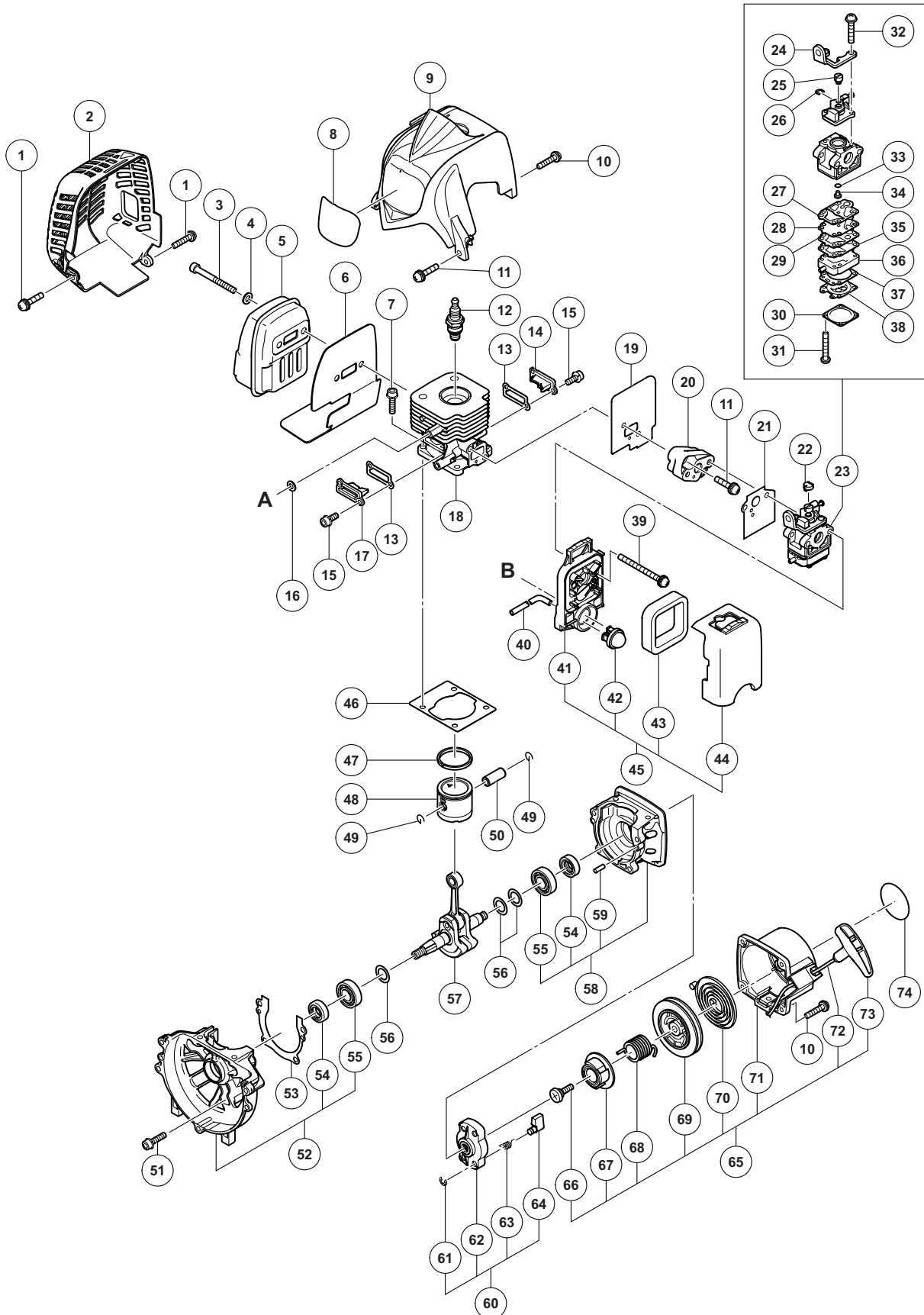


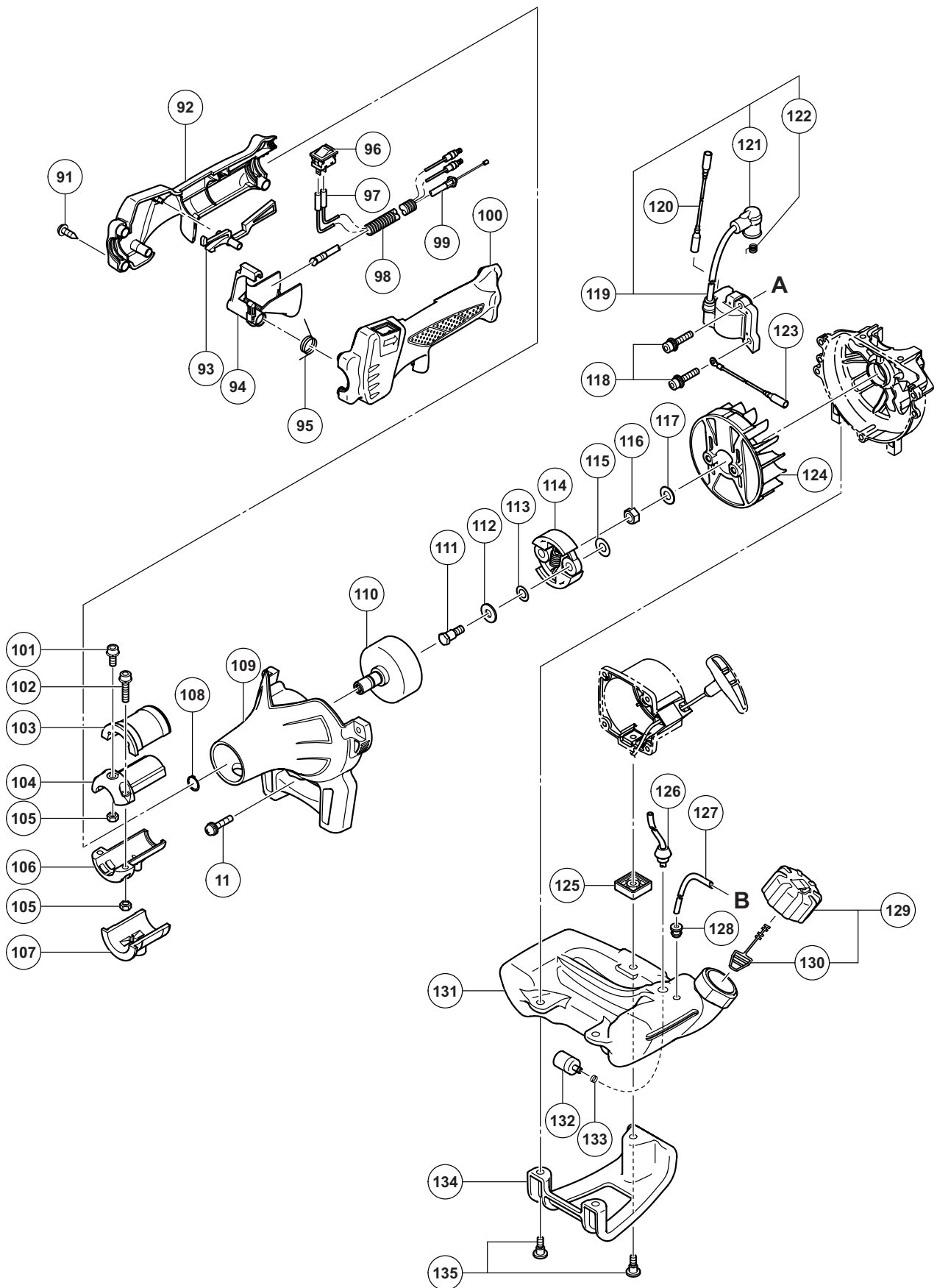
ENGINE TOOL PARTS LIST

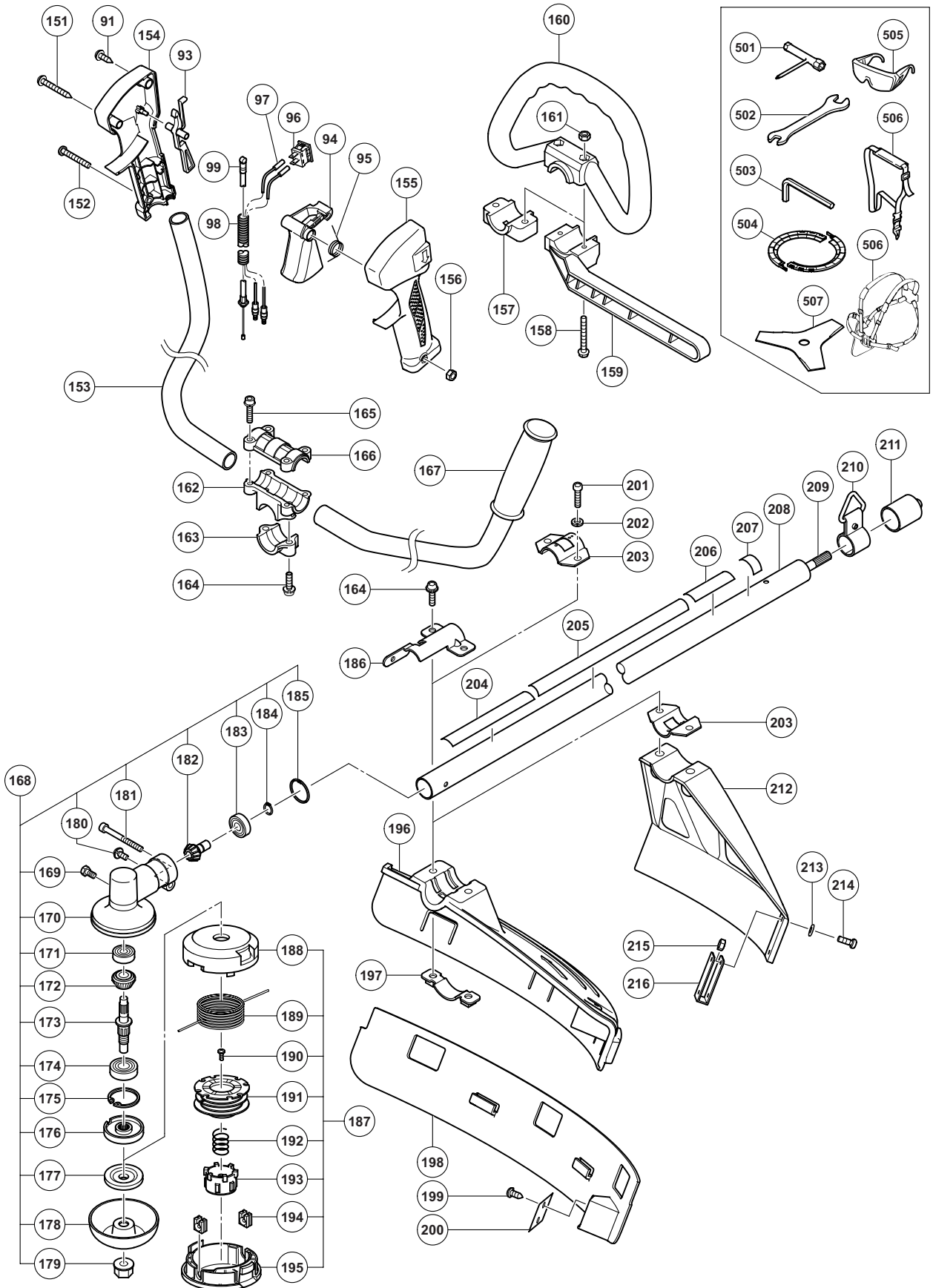
ENGINE BRUSH CUTTER Model CG 27EAS

2010·7·16

(E1)







PARTS

CG 27EAS

ITEM NO.	CODE NO.	DESCRIPTION	NO. USED	REMARKS
1	887-021	SCREW (W/WASHERS) M5 X 16 (BLACK)	2	
2	669-8493	MUFFLER COVER	1	
3	668-4638	HEX. HOLE BOLT M6 X 55	2	
4	949-432	BOLT WASHER M6 (10 PCS.)	2	
5	669-8477	MUFFLER	1	
6	669-8491	HEAT PROTECTION PANEL	1	
7	669-6958	HEX. SOCKET BOLT M5	4	
8		HITACHI LABEL	1	
9	669-8481	CYLINDER COVER	1	
10	307-606	MACHINE SCREW (W/WASHERS) M4 X 20 (BLACK)	4	
11	880-734	MACHINE SCREW (W/WASHERS) M5 X 25 (BLACK)	5	
* 12	668-4584	SPARK PLUG BMR7A	1	
* 12	668-5052	SPARK PLUG CJ6	1	
13	669-8365	COVER PACKING	2	
14	669-8484	SCAVENGING COVER (A)	1	
15	669-8385	HEX. SOCKET HD. BOLT M4 X 12	4	
16	668-4600	WASHER	2	
17	669-8485	SCAVENGING COVER (B)	1	
18	669-8480	CYLINDER	1	
19	669-8473	INTAKE PACKING	1	
20	669-6934	CARBURETOR INSULATOR	1	
21	668-4616	CARBURETOR GASKET	1	
22	668-4628	SWIVEL CAP	1	
23	669-8489	CARBURETOR ASS'Y	1	INCLUD. 24-38
24		BRACKET CABLE	1	
25		SWIVEL	1	
26		RING SPRING RETAINING	1	
27		GASKET PUMP	1	
28		DIAPHRAGM PUMP	1	
29		PLATE PUMP	1	
30		COVER-METERING DIAPHRAGM	1	
31		SCREW (A)	4	
32		SCREW (B)	2	
33		O-RING	1	
34		JET	1	
35		GASKET PLATE	1	
36		BODY ASS'Y PUMP	1	
37		GASKET METERING DIAPHRAGM	1	
38		DIAPHRAGM ASS'Y METERING	1	
39	307-224	MACHINE SCREW (W/WASHERS) M5 X 60 (BLACK)	2	
40	669-6962	FUEL PIPE	1	
41		AIR CLEANER HOUSING	1	
42	668-5139	PRIMING PUMP COMP.	1	
43	669-0347	CLEANER ELEMENT	1	
44		CLEANER COVER	1	
45	669-6549	AIR CLEANER ASS'Y	1	INCLUD. 41-44
46	669-8366	CYLINDER PACKING	1	
47	668-6121	PISTON RING	1	
48	669-8483	PISTON	1	
49	668-4590	PISTON PIN CIR CLIP	2	

PARTS

CG 27EAS

ITEM NO.	CODE NO.	DESCRIPTION	NO USED	REMARKS	
50	668-4591	PISTON PIN	1		
51	669-8386	HEX. SOCKET HD. BOLT (W/SP. WASHER) M5 X 18	4		
52	669-8370	CRANK CASE (B) ASS'Y	1	INCLUD. 54, 55	
53	669-8371	CRANK CASE PACKING	1		
54	668-4607	OIL SEAL TB 12227	2		
55	668-4608	BALL BEARING 6001 C3	2		
56	669-8490	SHIM	3		
57	669-8488	CRANK SHAFT	1		
58	669-8369	CRANK CASE (A) ASS'Y	1	INCLUD. 53, 54, 59	
59	669-6947	KNOCK PIN 4 X 12	2		
60	668-4681	STARTER PULLEY ASS'Y	1	INCLUD. 61-64	
61	668-4683	STOP RING E-5	2		
62		STARTER PULLEY	1		
63	668-4684	STARTER PAWL SPRING	2		
64	668-4685	STARTER PAWL	2		
65	668-4672	RECOIL STARTER BODY ASS'Y	1	INCLUD. 66-73	
66	668-4679	SET SCREW	1		
67	668-4678	CAM PLATE	1		
68	668-4677	DUMPER SPRING	1		
69	668-4676	STARTER ROPE REEL	1		
70	668-4675	RECOIL SPRING	1		
71	668-4673	RECOIL STARTER BODY COMP.	1		
72	668-4674	STARTER ROPE 3.5 X 860	1		
73	668-4680	STARTER HANDLE	1		
74		NAME PLATE	1		
*	91	305-812	TAPPING SCREW (W/FLANGE) D4 X 16 (BLACK)	1	
*	91	305-812	TAPPING SCREW (W/FLANGE) D4 X 16 (BLACK)	4	FOR MEX (SL), PAN (SL), VIE (SL), TPE (SL), KOR (SL)
*	92	669-6942	HANDLE (B)	1	FOR MEX (SL), PAN (SL), VIE (SL), TPE (SL), KOR (SL)
*	92	669-6487	HANDLE (B)	1	FOR AUS (SL), NZL (SL), CHN (SL)
	93	669-6490	LOCK LEVER	1	
	94	669-6488	LEVER	1	
	95	669-6489	SPRING (A)	1	
	96	669-6940	STOP SWITCH	1	
*	97	669-6491	STOP SWITCH CORD	2	
*	97	669-6592	STOP SWITCH CORD	2	FOR UAE (S), MEX (S), AUS (S), NZL (S), VIE (S), RUS (S), CHN (S), TPE (S), KOR (S)
*	98	669-6967	PROTECTION TUBE	1	
*	98	669-6594	PROTECTION TUBE	1	FOR UAE (S), MEX (S), AUS (S), NZL (S), VIE (S), RUS (S), CHN (S), TPE (S), KOR (S)
*	99	669-6560	THROTTLE WIRE COMP	1	
*	99	669-6593	THROTTLE WIRE COMP.	1	FOR UAE (S), MEX (S), AUS (S), NZL (S), VIE (S), RUS (S), CHN (S), TPE (S), KOR (S)
*	100	669-6941	HANDLE (A)	1	FOR MEX (SL), PAN (SL), VIE (SL), TPE (SL), KOR (SL)
*	100	669-6486	HANDLE (A)	1	FOR AUS (SL), NZL (SL), CHN (SL)
	101	668-4667	HEX. HOLE BOLT M5 X 12/S	1	
	102	669-5492	HEX. HOLE BOLT 5 X 22/S	2	
	103	669-6963	ANTI VIBE RUBBER (A)	1	

PARTS

CG 27EAS

ITEM NO.	CODE NO.	DESCRIPTION	NO. USED	REMARKS
104	669-6542	PIPE HOLDER (A)	1	
105	302-012	NUT M5 (BLACK)	3	
106	669-6543	PIPE HOLDER (B)	1	
107	669-6964	ANTI VIBE RUBBER (B)	1	
108	939-542	RETAINING RING FOR D12 SHAFT (10 PCS.)	1	
109	669-8486	FAN CASE	1	
110	669-6481	CLUTCH SHAFT COMP.	1	
111	669-6469	STEP BOLT	2	
112	668-4648	BENT WASHER 8	2	
113	669-6546	CLUTCH PLATE (A)	2	
114	669-6948	CLUTCH	1	
115	669-6547	CLUTCH WASHER (B)	2	
116	668-5337	FLYWHEEL NUT	1	
117	323-212	BOLT WASHER M8 (BLACK)	1	
118	669-8388	HEX. SOCKET HD. BOLT (W/WASHERS) M4 X 18	2	
119	669-8397	IGNITION COIL ASS'Y	1	INCLUD. 121, 122
120	669-8495	CORD	1	
121		PLUG CAP	1	
122		METAL FITTING OF PLUG CAP	1	
123	669-6545	EARTH CORD	1	
124	669-8396	MAGNETO ROTOR	1	
125	669-8496	SPACER	1	
126	669-6551	SHIELD TUBE	1	
127	669-8401	FUEL PIPE (PINK)	1	
128	669-6970	RETURN GROMMET	1	
129	669-8402	FUEL TANK CAP ASS'Y	1	INCLUD. 130
130		TANK CAP CHAIN	1	
131	669-8475	TANK	1	
132	668-4620	PUMP FILTER BODY COMP.	1	
133	669-6949	CLIP	1	
134	669-4787	STAND	1	
135	669-6557	FLANGE BOLT	3	
* 151	323-837	TAPPING SCREW (W/FLANGE) D4 X 30	1	FOR UAE (S), MEX (S), AUS (S), NZL (S), VIE (S), RUS (S), CHN (S), TPE (S), KOR (S)
* 152	323-041	MACHINE SCREW M5 X 30 (BLACK)	1	FOR UAE (S), MEX (S), AUS (S), NZL (S), VIE (S), RUS (S), CHN (S), TPE (S), KOR (S)
* 153	669-6585	HANDLE RIGHT	1	FOR UAE (S), MEX (S), AUS (S), NZL (S), VIE (S), RUS (S), CHN (S), TPE (S), KOR (S)
* 154	669-6590	HANDLE (B)	1	FOR UAE (S), MEX (S), AUS (S), NZL (S), VIE (S), RUS (S), CHN (S), TPE (S), KOR (S)
* 155	669-6588	HANDLE (A)	1	FOR UAE (S), MEX (S), AUS (S), NZL (S), VIE (S), RUS (S), CHN (S), TPE (S), KOR (S)
* 156	302-012	NUT M5 (BLACK)	1	FOR UAE (S), MEX (S), AUS (S), NZL (S), VIE (S), RUS (S), CHN (S), TPE (S), KOR (S)
* 157	669-6972	HANDLE HOLDER (A)	1	FOR MEX (SL), PAN (SL), VIE (SL), TPE (SL), KOR (SL)
* 158	669-6974	BOLT (BLACK) M6	2	FOR PAN (SL), MEX (SL), AUS (SL), NZL (SL), VIE (SL), CHN (SL), TPE (SL), KOR (SL)
* 159	669-6973	BARRIER	1	FOR AUS (SL), NZL (SL), CHN (SL)
* 160	669-6975	LOOP HANDLE	1	FOR PAN (SL), MEX (SL), AUS (SL), NZL (SL),

PARTS

CG 27EAS

ITEM NO.	CODE NO.	DESCRIPTION	NO. USED	REMARKS
				VIE (SL), CHN (SL), TPE (SL), KOR (SL)
* 161	949-556	NUT M6 (10 PCS.)	2	FOR PAN (SL), MEX (SL), AUS (SL), NZL (SL),
				VIE (SL), CHN (SL), TPE (SL), KOR (SL)
* 162	669-6577	HANDLE HOLDER (B)	1	FOR UAE (S), MEX (S), AUS (S), NZL (S),
				VIE (S), RUS (S), CHN (S), TPE (S), KOR (S)
* 163	669-6578	HANDLE HOLDER (C)	1	FOR UAE (S), MEX (S), AUS (S), NZL (S),
				VIE (S), RUS (S), CHN (S), TPE (S), KOR (S)
* 164	668-4714	HEX. HOLE BUTTON SCREW 6 X 25S	4	
* 164	668-4714	HEX. HOLE BUTTON SCREW 6 X 25S	2	FOR PAN (SL), MEX (SL), AUS (SL), NZL (SL),
				VIE (SL), CHN (SL), TPE (SL), KOR (SL)
* 165	668-4709	HEX. HOLE BOLT M5 X 25/S	4	FOR UAE (S), MEX (S), AUS (S), NZL (S),
				VIE (S), RUS (S), CHN (S), TPE (S), KOR (S)
* 166	669-6576	HANDLE HOLDER (A)	1	FOR UAE (S), MEX (S), AUS (S), NZL (S),
				VIE (S), RUS (S), CHN (S), TPE (S), KOR (S)
* 167	669-6595	HANDLE LEFT	1	FOR UAE (S), MEX (S), AUS (S), NZL (S),
				VIE (S), RUS (S), CHN (S), TPE (S), KOR (S)
168	669-6485	GEAR CASE ASS'Y 3BB (A)	1	INCLUD. 169-185
169	669-6974	BOLT (BLACK) M6	1	
170		GEAR CASE D24	1	
171		BB. 626	1	
172		GEAR	1	
173		GEAR SHAFT D24	1	
174		BB. 6000DDU	1	
175		C-RING D26	1	
176	669-6977	CUTTER HOLDER (A)	1	
177		CUTTER HOLDER (B)	1	
178		NUT COVER	1	
179		LEFT HAND NYLON NUT M10	1	
180		SCREW W/SPRING WASHER M5	1	
181		HEX. BOLT M5	1	
182		PINION	1	
183		BB. 609Z	1	
184		GRIP RING D9	1	
185		C-RING D24	1	
* 186	669-6494	COVER BRACKET	1	FOR AUS (SL, S), NZL (SL, S), RUS (S),
				CHN (SL)
187	669-6454	NYLON HEAD ASS'Y	1	INCLUD. 188-195
188		COVER	1	
189		NYLON CORD	1	
190		SET SCREW	1	
191		REEL	1	
192		RETURN SPRING SET SCREW	1	
193		BUTTON	1	
194		CORD GUIDE	2	
195		CASE	1	
* 196	669-6980	COVER	1	FOR AUS (SL, S), NZL (SL, S), RUS (S),
				CHN (SL)
* 197	669-6951	SAFETY COVER HOLDER	1	FOR AUS (SL, S), NZL (SL, S), RUS (S),
				CHN (SL)
* 198	669-6950	COVER GUARD	1	FOR AUS (SL, S), NZL (SL, S), RUS (S),

PARTS

CG 27EAS

ITEM NO.	CODE NO.	DESCRIPTION	NO. USED	REMARKS
				CHN (SL)
* 199	668-4751	TAPPING SCREW 4 X 14	1	FOR AUS (SL, S), NZL (SL, S), RUS (S),
				CHN (SL)
* 200	668-4750	KNIFE	1	FOR AUS (SL, S), NZL (SL, S), RUS (S),
				CHN (SL)
* 201	668-5064	HEX. SOCKET HD. BOLT (W/BUTTON) M6 X 20	2	FOR UAE (S), PAN (S), MEX (SL, S),
				VIE (SL, S), TPE (SL, S), KOR (SL, S)
* 202	949-455	SPRING WASHER M6 (10 PCS.)	2	FOR UAE (S), PAN (S), MEX (SL, S),
				VIE (SL, S), TPE (SL, S), KOR (SL, S)
* 203	669-6978	COVER BRACKET	2	FOR UAE (S), PAN (S), MEX (SL, S),
				VIE (SL, S), TPE (SL, S), KOR (SL, S)
* 204		LEVEL MARK	1	FOR UAE (S), PAN (S), MEX (SL, S),
				VIE (SL, S), TPE (SL, S), KOR (SL, S)
205	668-4850	CAUTION MARK 9900RPM	1	
* 206	668-4852	LEVEL MARK	1	FOR AUS (SL), NZL (SL), CHN (SL)
207	668-4851	LEVEL MARK	1	
208	669-6558	MAIN PIPE COMP	1	
209	669-8514	DRIVE SHAFT	1	
210	669-6493	HANGER	1	
211	669-8515	CAP (A)	1	
* 212	669-6981	SAFETY COVER COMP.	1	FOR UAE (S), PAN (S), MEX (SL, S),
				VIE (SL, S), TPE (SL, S), KOR (SL, S)
* 213	323-210	BOLT WASHER M4 (BLACK)	2	FOR UAE (S), PAN (S), MEX (SL, S),
				VIE (SL, S), TPE (SL, S), KOR (SL, S)
* 214	668-5068	MACHINE SCREW (W/SP. WASHER) M4 X 12	2	FOR UAE (S), PAN (S), MEX (SL, S),
				VIE (SL, S), TPE (SL, S), KOR (SL, S)
* 215	949-554	NUT M4 (10 PCS.)	2	FOR UAE (S), PAN (S), MEX (SL, S),
				VIE (SL, S), TPE (SL, S), KOR (SL, S)
* 216	669-6584	KNIFE	1	FOR UAE (S), PAN (S), MEX (SL, S),
				VIE (SL, S), TPE (SL, S), KOR (SL, S)

STANDARD ACCESSORIES

ITEM NO.	CODE NO.	DESCRIPTION	NO. USED	REMARKS
501	668-4764	BOX WRENCH (HEX. SOCKET 17/19)	1	
* 502	669-6596	WRENCH 8 X 10	1	EXCEPT FOR AUS (SL, S), NZL (SL, S)
503	944-458	HEX. BAR WRENCH 4MM	1	
* 504	668-4768	CUTTER COVER	2	FOR AUS (S), NZL (S), RUS (S)
505	875-769	SAFETY GLASSES	1	
* 506	669-6448	SHOULDER BELT SINGLE	1	FOR UAE (S), PAN (S), MEX (SL, S),
				VIE (SL, S), TPE (SL, S), KOR (SL, S)
* 506	668-4718	SHOULDER BELT CR DOUBLE	1	FOR AUS (S), NZL (S), CHN (S)
507		BLADE 3T X 230 X T1.8	1	